



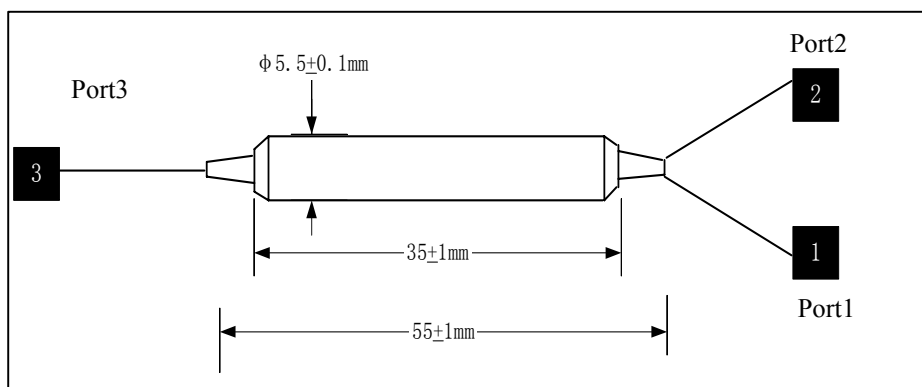
### TEST DATA SHEET

Description: PM Filter Coupler

Part number: PMFC-55-1-50-B-SSS-LLL-P-0.8

Parameters	Unit	Specification	Test Data
Center Wavelength	nm	1550	1550
Insertion Loss(Port1 → Port3)	dB	/	3.06
Insertion Loss(Port1 → Port2)	dB	/	3.42
Max. Excess loss;+0.3dB connector loss	dB	1.0	0.23
Max. Uniformity;+0.3dB connector loss	dB	0.7	0.38
Min. Extinction Ratio (Port1 → Port3)-2dB connector loss	dB	18	20
Min. Extinction Ratio (Port1 → Port2)-2dB connector loss	dB	18	21
Min. Optical Return Loss -5dB connector loss	dB	45	58
Connector type	SC/PC		
Fiber type	900um loose tube panda fiber		
Fiber Length	m	0.8	
Max. Optical Power	mW	500	
Max. Tensile Load	N	5	
Operating Temperature	°C	-5 to +70	
Storage Temperature	°C	-40 to +85	

Package Dimensions:



Remark: Port1 is blue loose tube.

**PASS**

Tested By: Juan Zhou

Date:2008-6-24

Reviewed by: Aistin

Date:2008-6-24

Form No.:D05-127-04 Rev.A